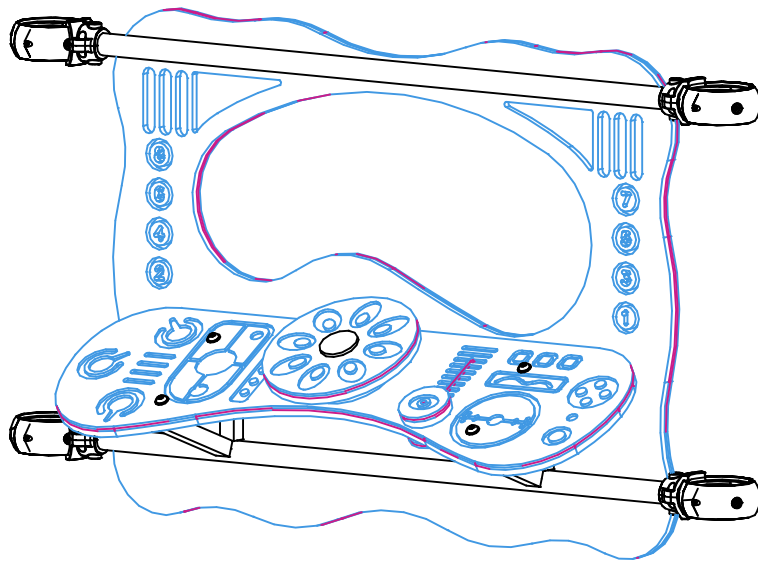
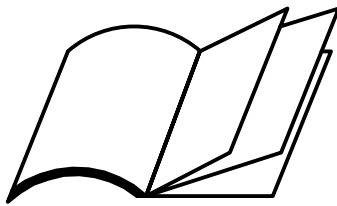


# HAGS

## ZINGO ANCILLARIES



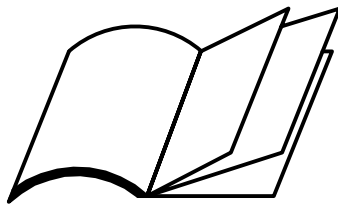
X-CP



---

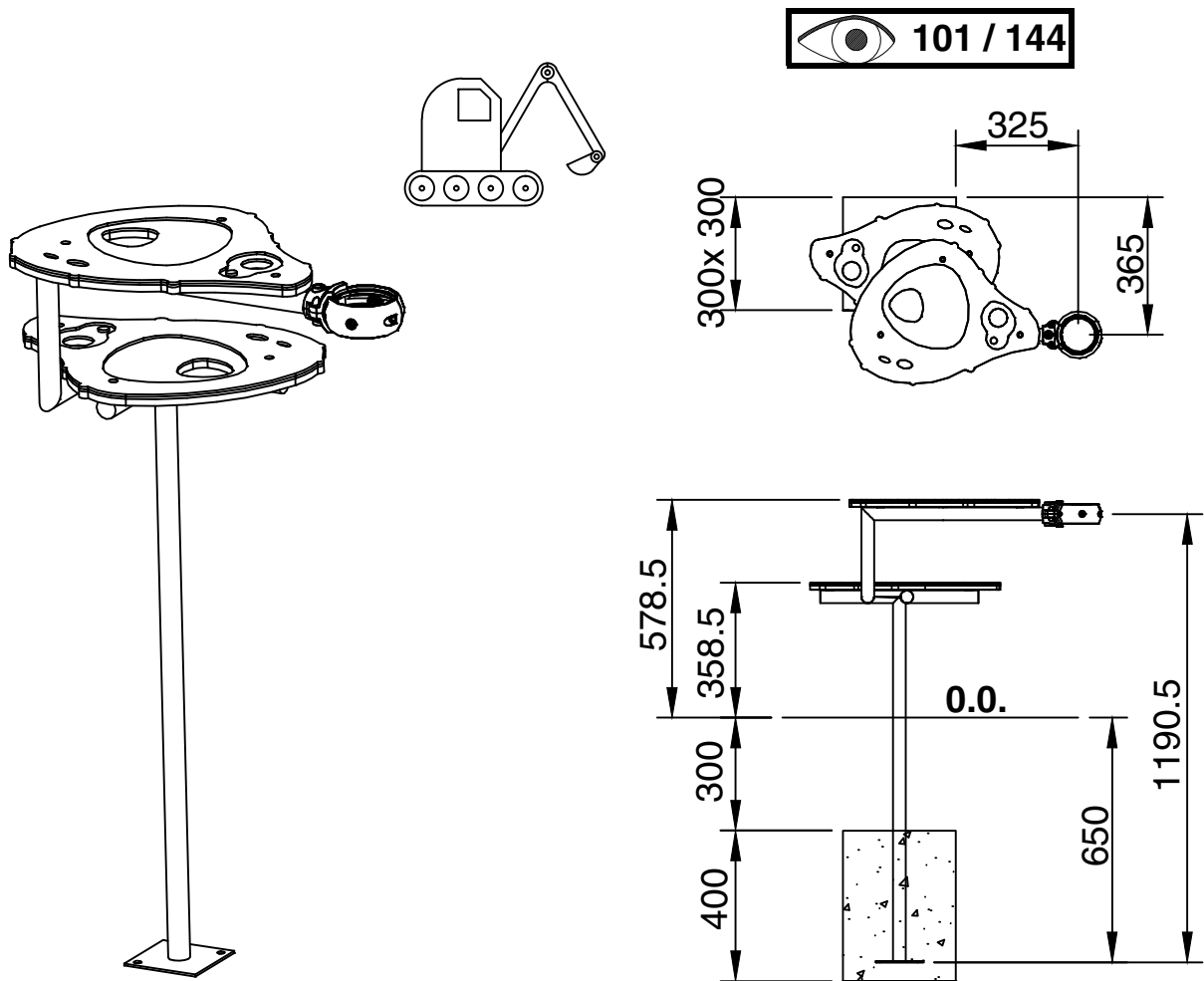
# CONTENTS

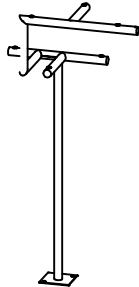

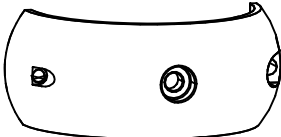
<b>Section 1:</b> .....	Page 5
<b>1 X-PT</b> .....	Page 5
<b>2 X-PP1</b> .....	Page 8
<b>3 X-CS</b> .....	Page 9
<b>4 X-CP</b> .....	Page 12
<b>5 X-GP1</b> .....	Page 16
<b>6 X-SSM</b> .....	Page 19
<b>7 X-SST</b> .....	Page 22


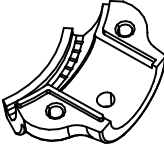
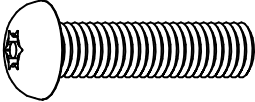
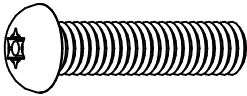
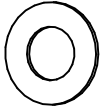
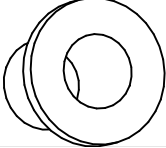
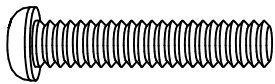
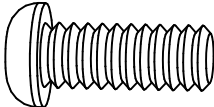
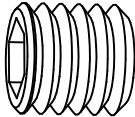
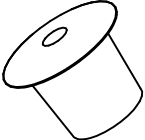


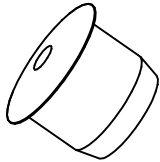
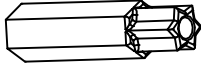


Section 1:

1 X-PT

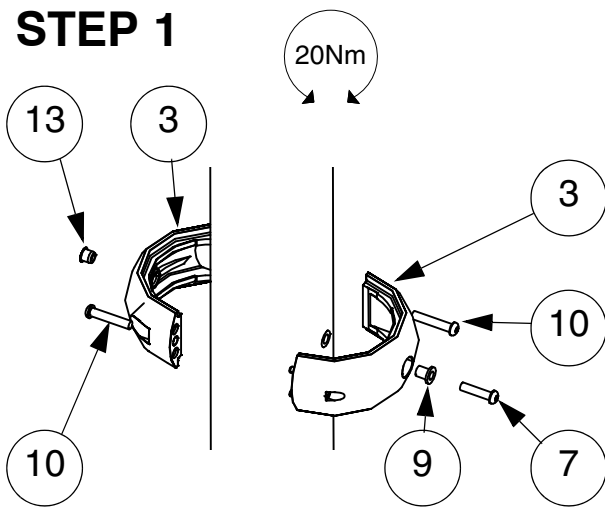


ITEM	REF.		QTY	kg
1	55440012		1	7.50
2	55440013		2	2.50
3	55030799		2	0.20

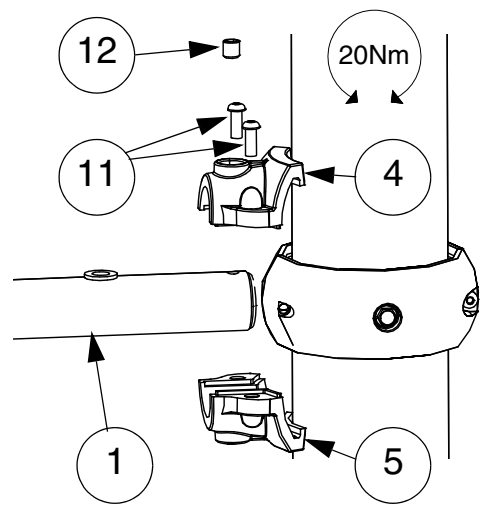
ITEM	REF.		QTY	kg
4	55030499		1	0.10
5	55030399		1	0.10
6	10121040	 <p data-bbox="651 622 893 663">M10 X 40</p>	6	0.037
7	10120625	 <p data-bbox="651 808 866 848">M6 X 25</p>	1	0.011
8	10291000	 <p data-bbox="635 1008 874 1041">M10 11X21X1</p>	6	0.002
9	14104942		1	0.001
10	14104749	 <p data-bbox="612 1375 901 1411">1/4"UNC X 1-1/4"</p>	2	0.007
11	14104750	 <p data-bbox="619 1568 895 1606">1/4"UNC X 5/8"</p>	2	0.005
12	14104285	 <p data-bbox="616 1760 898 1798">3/8"UNC X 3/8"</p>	1	0.003
13	19055040		1	0.001

ITEM	REF.		QTY	kg
14	19055030		1	0.001
15	10121000	 T45 M10	1	-
16	10120600	 T30 M6	1	-
17	10120500	 T27 1/4"UNC	1	-

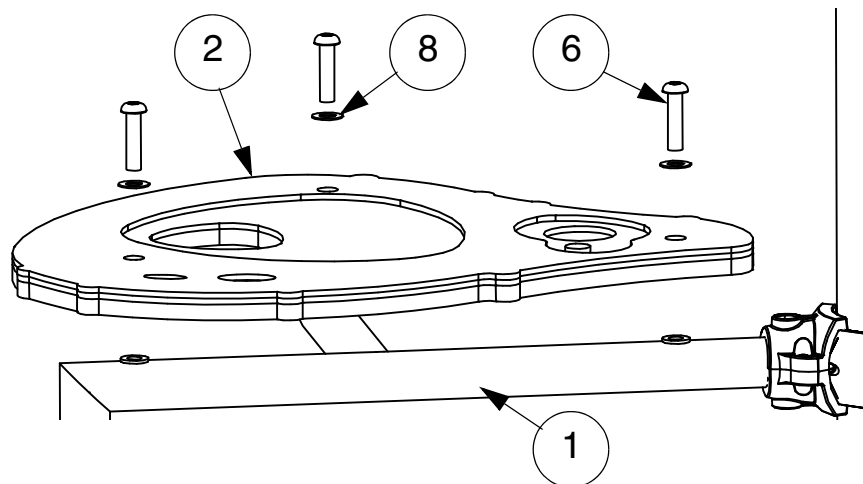
**STEP 1**



**STEP 2**

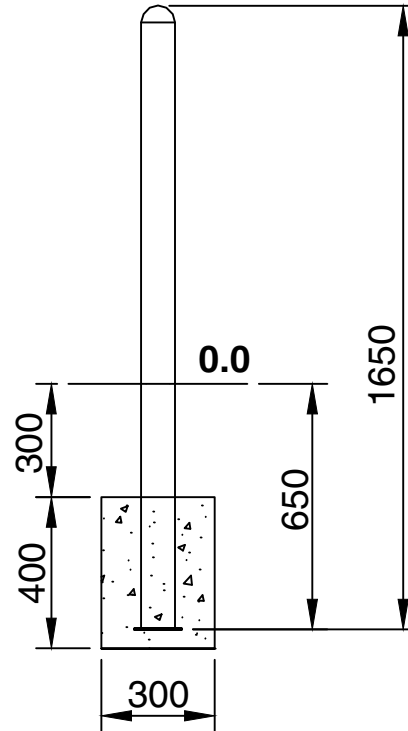
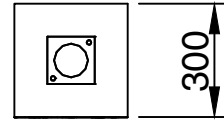
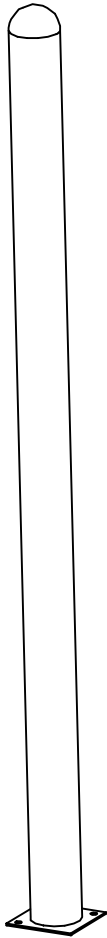
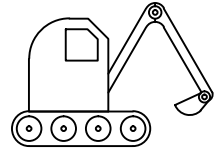


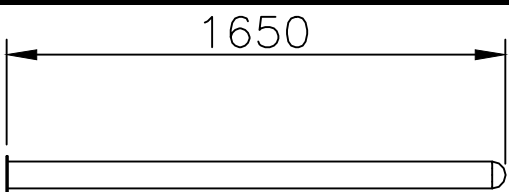
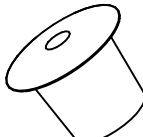
**STEP 3**



2 X-PP1

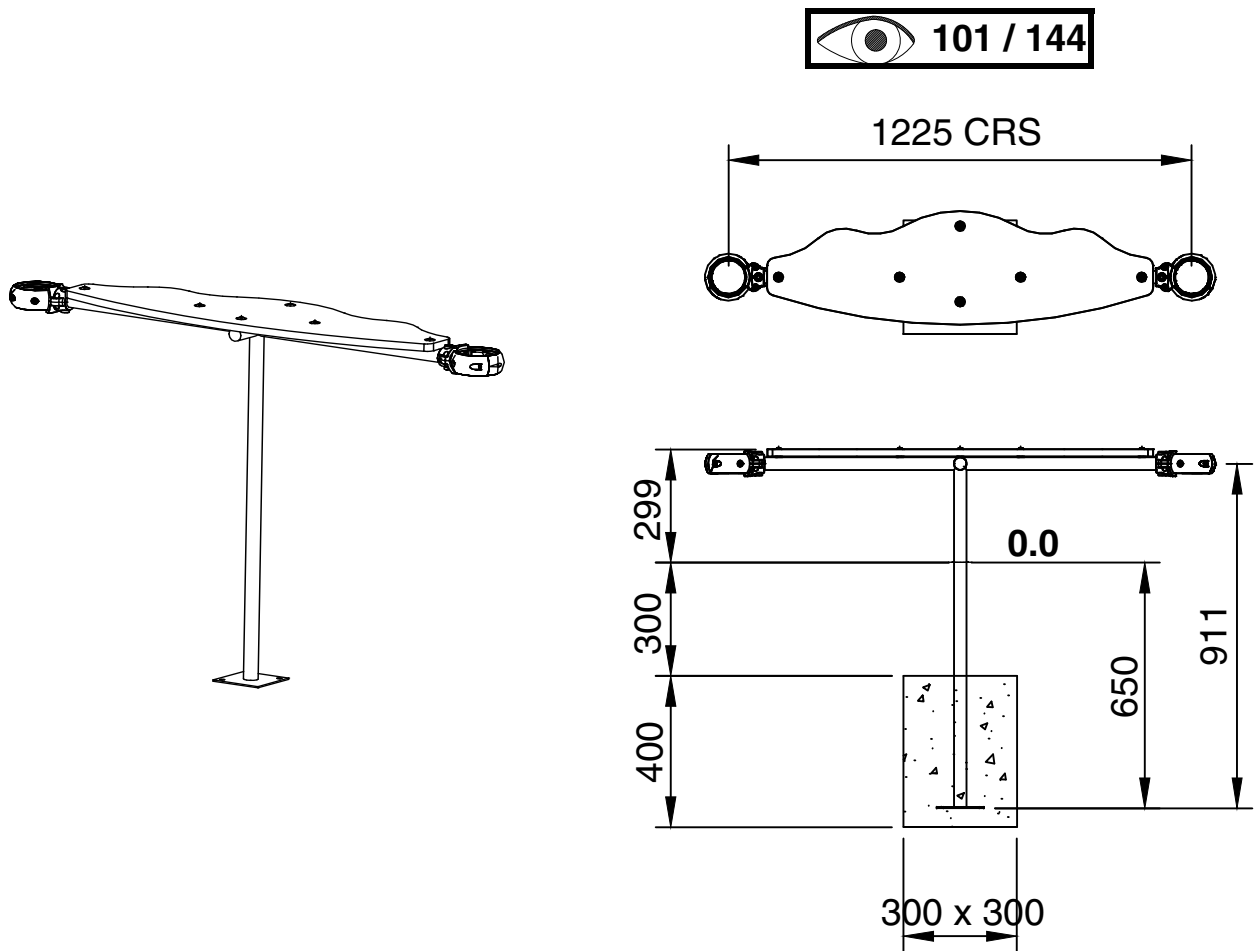
 101 / 144




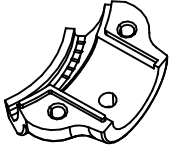
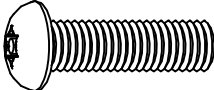
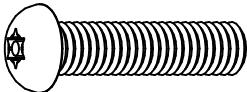
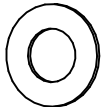
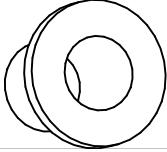
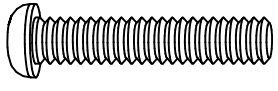
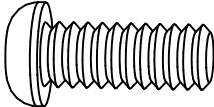
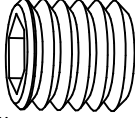
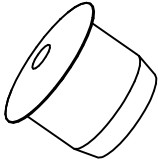
ITEM	REF.		QTY	kg
1	55440011		1	14.50
2	19055040		2	0.001

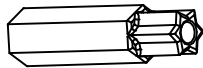
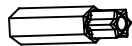
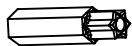


3 X-CS

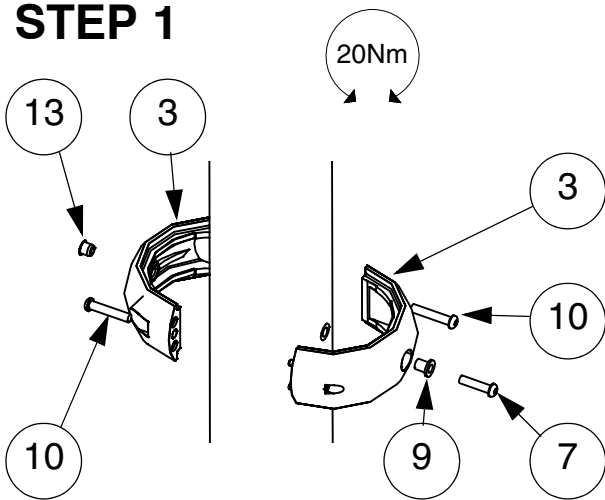


ITEM	REF.		QTY	kg
1	55020911		1	6.00
2	55090030		1	4.00
3	55030799		4	0.20

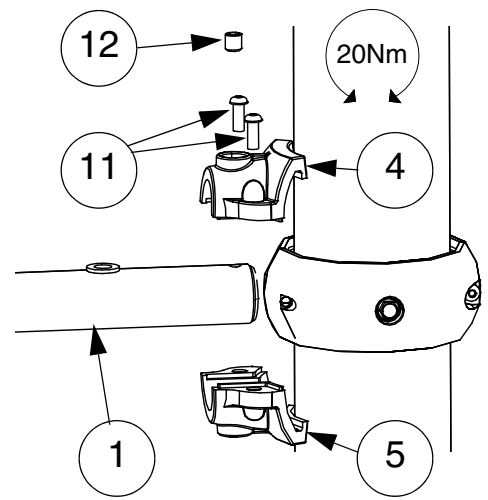
ITEM	REF.		QTY	kg
4	55030499		2	0.10
5	55030399		2	0.10
6	10121035	 <p data-bbox="651 629 890 674">M10 X 35</p>	6	0.037
7	10120625	 <p data-bbox="651 819 863 864">M6 X 25</p>	2	0.011
8	10291000	 <p data-bbox="635 1016 874 1061">M10 11X21X1</p>	6	0.002
9	14104942		1	0.001
10	14104749	 <p data-bbox="612 1379 904 1424">1/4"UNC X 1-1/4"</p>	2	0.007
11	14104750	 <p data-bbox="619 1581 900 1626">1/4"UNC X 5/8"</p>	4	0.005
12	14104285	 <p data-bbox="619 1783 900 1827">3/8"UNC X 3/8"</p>	2	0.003
13	19055030		2	0.001

ITEM	REF.		QTY	kg
14	10121000	 T45 M10	1	-
15	10120600	 T30 M6	1	-
16	10120500	 T27 1/4"UNC	1	-

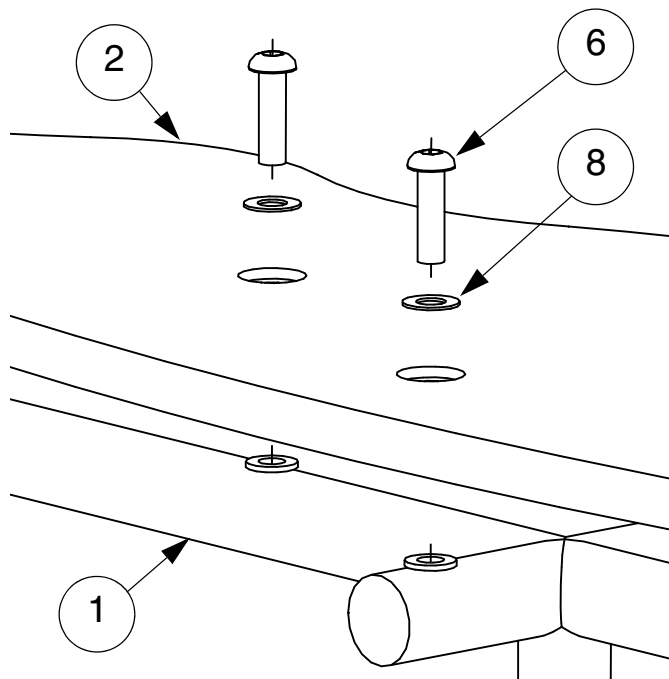
**STEP 1**



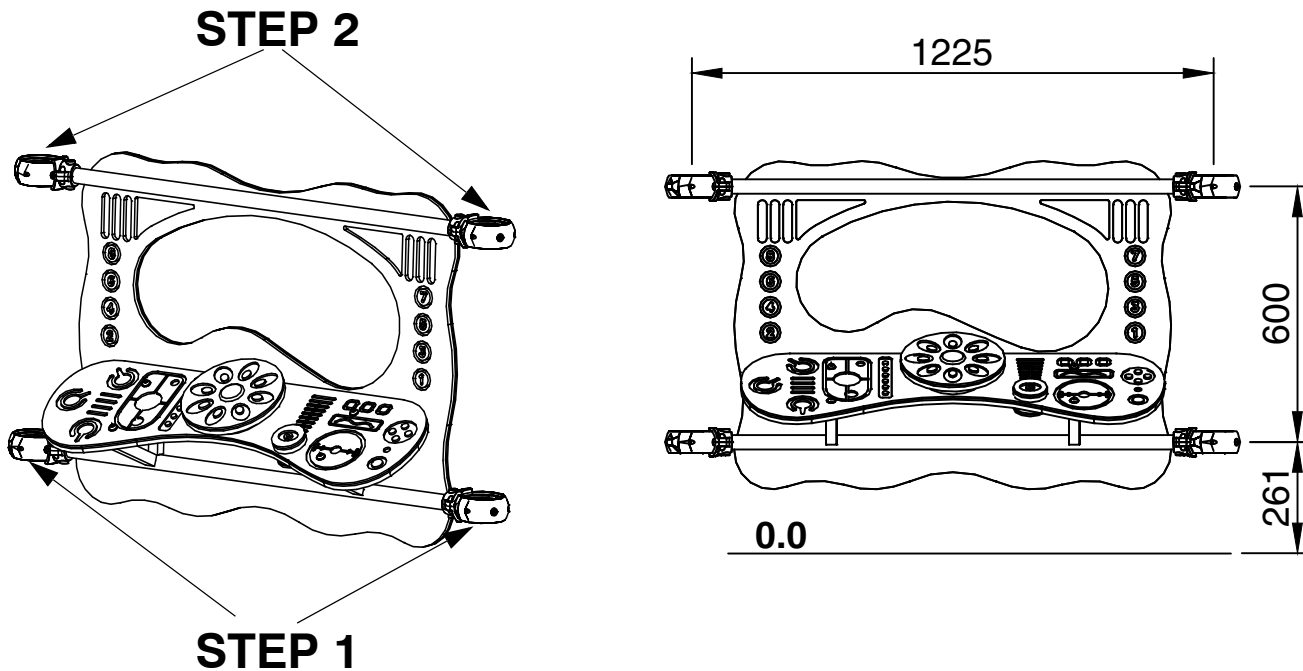
**STEP 2**




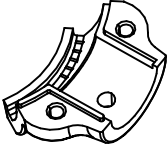
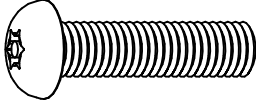

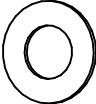
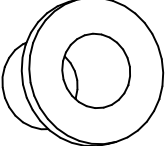
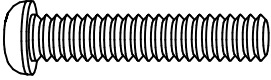
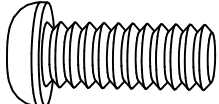
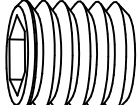
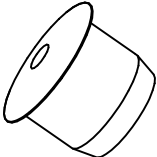
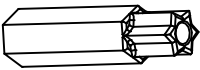
**STEP 3**

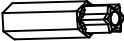
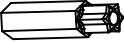


4 X-CP

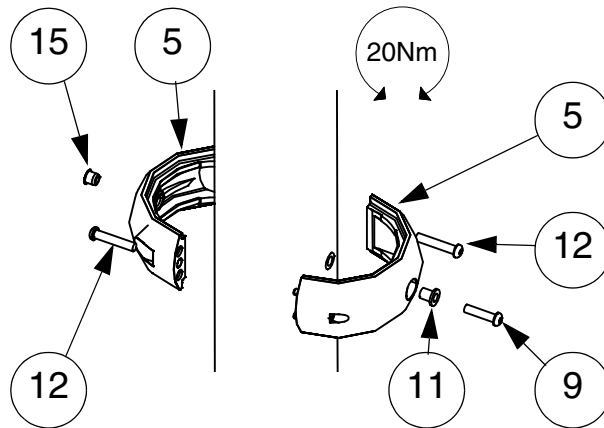


ITEM	REF.		QTY	kg
1	55021082		1	2.50
2	55021087		1	5.00
3	55090401		1	10.00
4	55090402		1	6.00
5	55030799		8	0.20

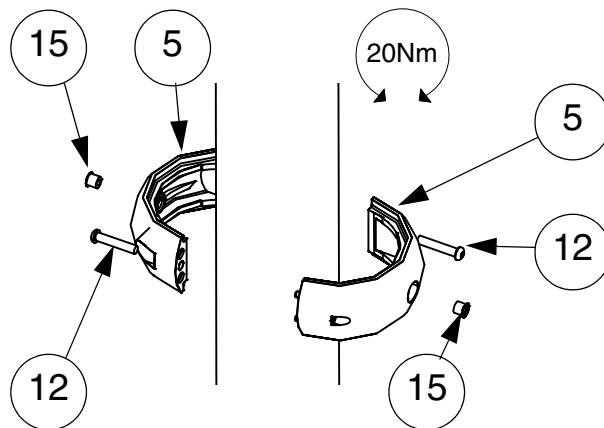
ITEM	REF.		QTY	kg
6	55030499		4	0.10
7	55030399		4	0.10
8	10121040	 <p data-bbox="730 607 970 645">M10 X 40</p>	16	0.037
9	10120625	 <p data-bbox="730 786 948 824">M6 X 25</p>	2	0.011
10	10291000	 <p data-bbox="708 958 954 996">M10 11X21X1</p>	16	0.002
11	14104942		2	0.001
12	14104749	 <p data-bbox="687 1294 981 1332">1/4"UNC X 1-1/4"</p>	8	0.007
13	14104750	 <p data-bbox="695 1473 973 1512">1/4"UNC X 5/8"</p>	8	0.005
14	14104285	 <p data-bbox="692 1646 978 1684">3/8"UNC X 3/8"</p>	4	0.003
15	19055030		6	0.001
16	10121000	 <p data-bbox="778 2011 975 2049">T45 M10</p>	1	-

ITEM	REF.		QTY	kg
17	10120600	 T30 M6	1	-
18	10120500	 T27 1/4"UNC	1	-

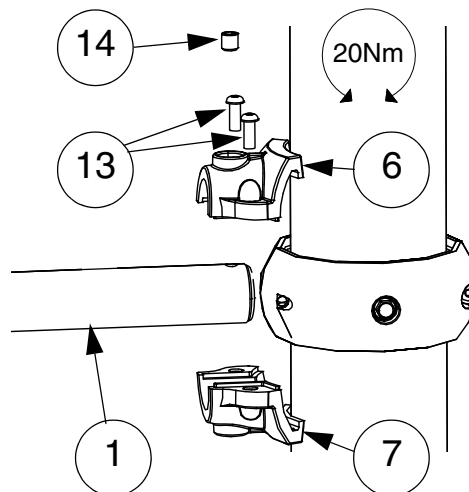
### STEP 1



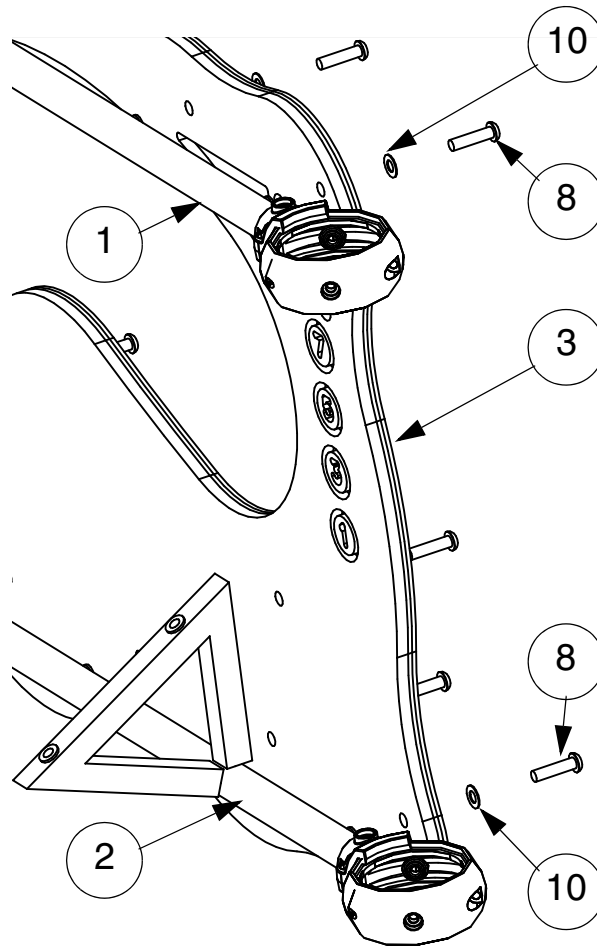
### STEP 2



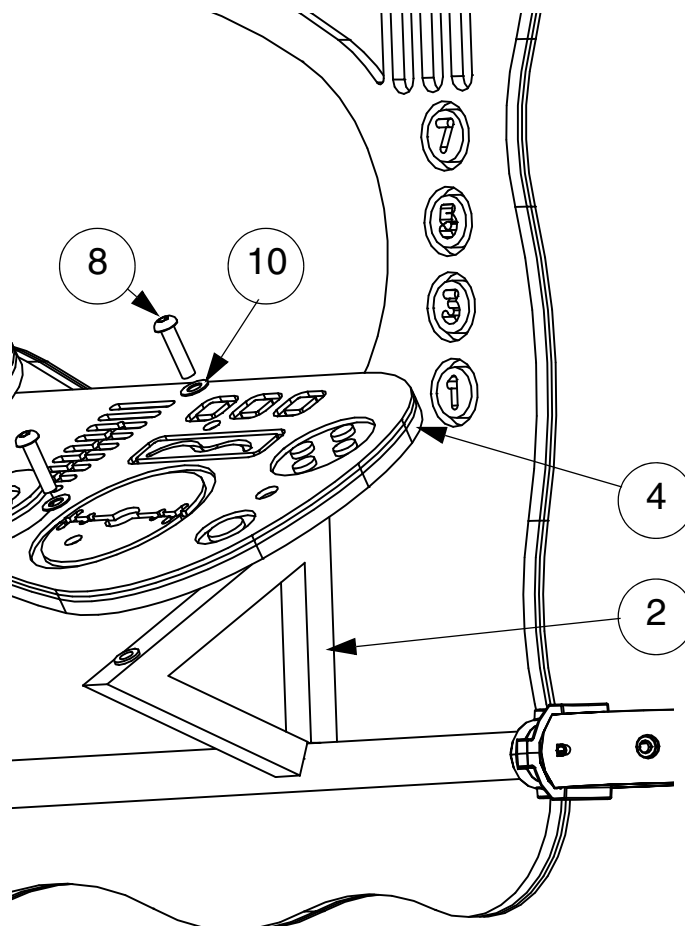
### STEP 3



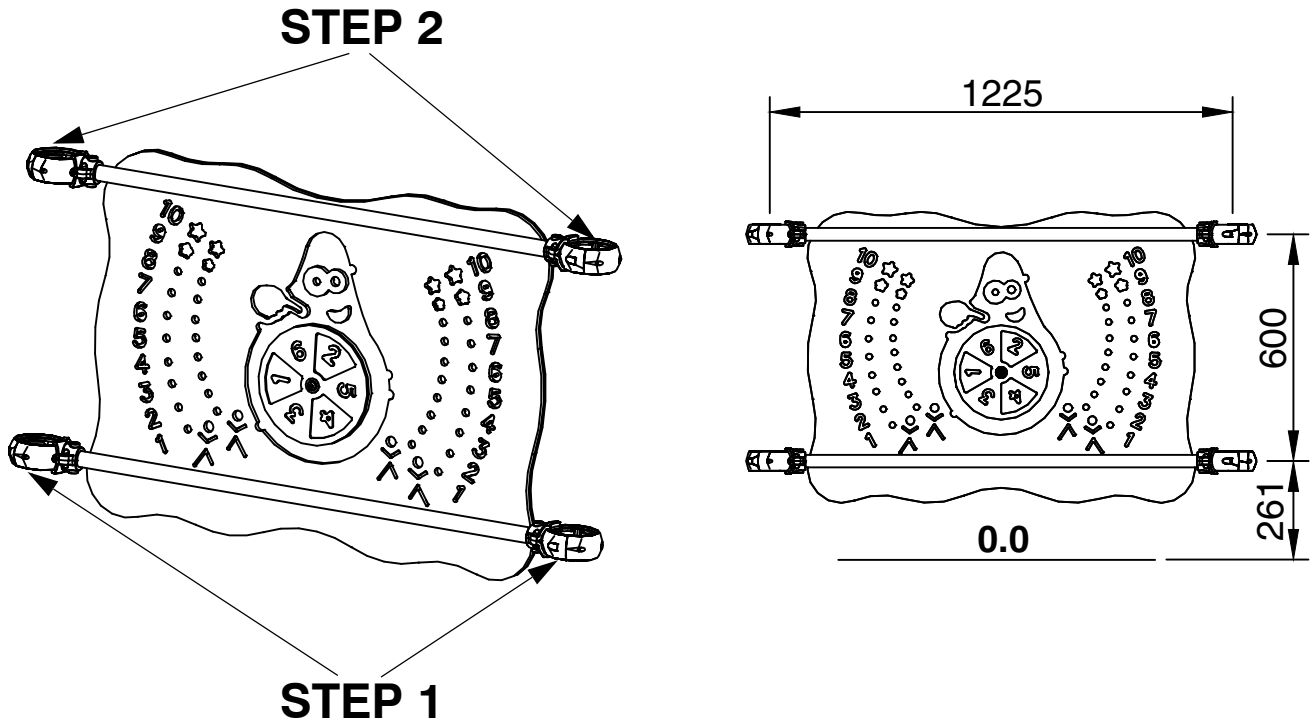
# STEP 4

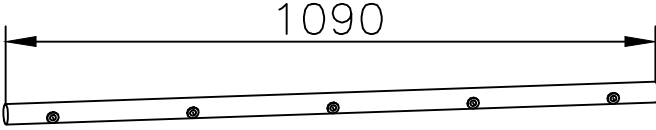
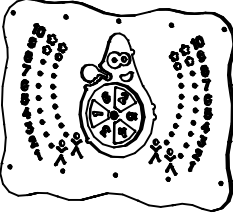
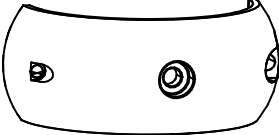

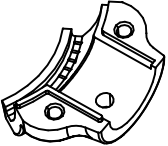


# STEP 5

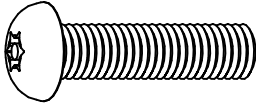
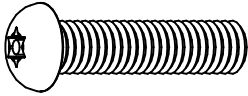
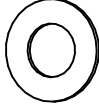
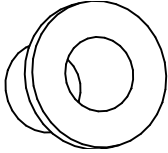
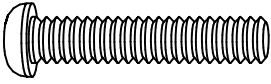
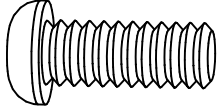
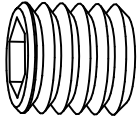
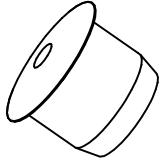
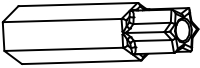
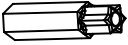



5 X-GP1

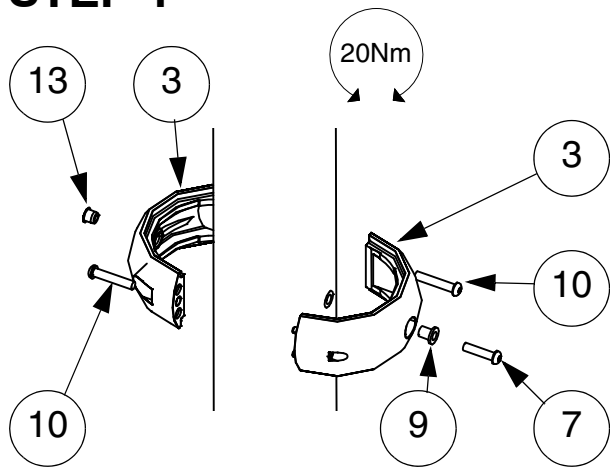


ITEM	REF.		QTY	kg
1	55021082		2	2.50
2	55090701		1	16.00
3	55030799		8	0.20
4	55030499		4	0.10
5	55030399		4	0.10

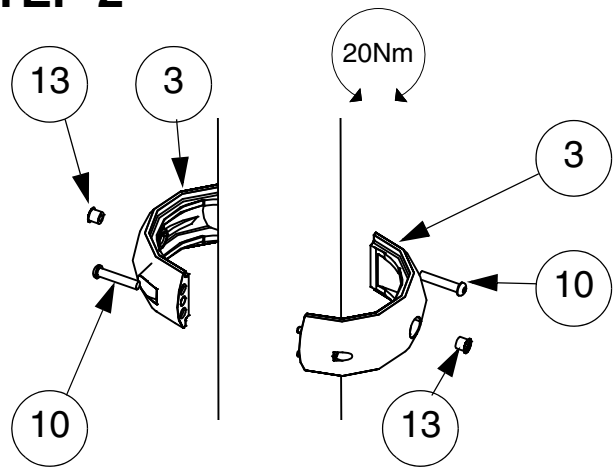


ITEM	REF.		QTY	kg
6	10121040	 M10 X 40	10	0.037
7	10120625	 M6 X 25	2	0.011
8	10291000	 M10 11X21X1	10	0.002
9	14104942		2	0.001
10	14104749	 1/4"UNC X 1-1/4"	8	0.007
11	14104750	 1/4"UNC X 5/8"	8	0.005
12	14104285	 3/8"UNC X 3/8"	4	0.003
13	19055030		6	0.001
14	10121000	 T45 M10	1	-
15	10120600	 T30 M6	1	-
16	10120500	 T27 1/4"UNC	1	-

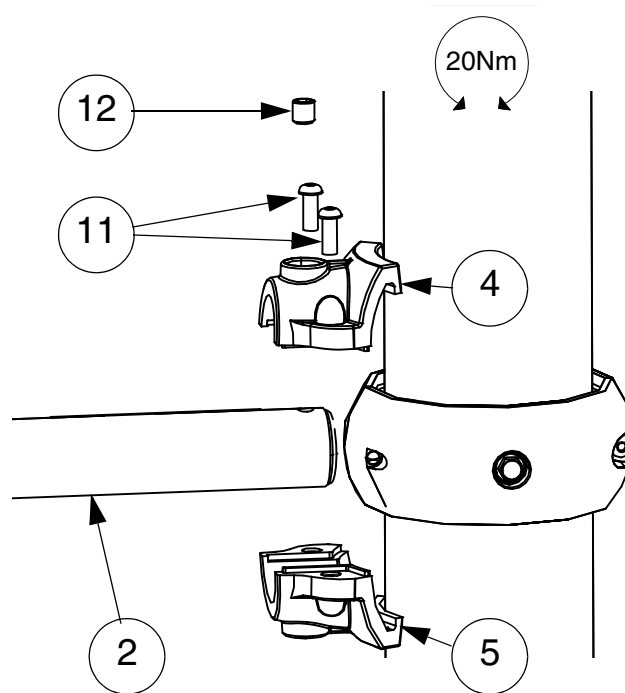
### STEP 1



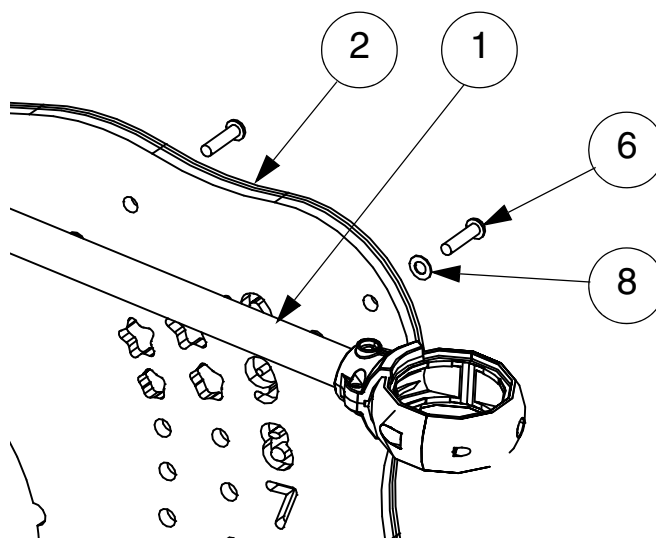
### STEP 2



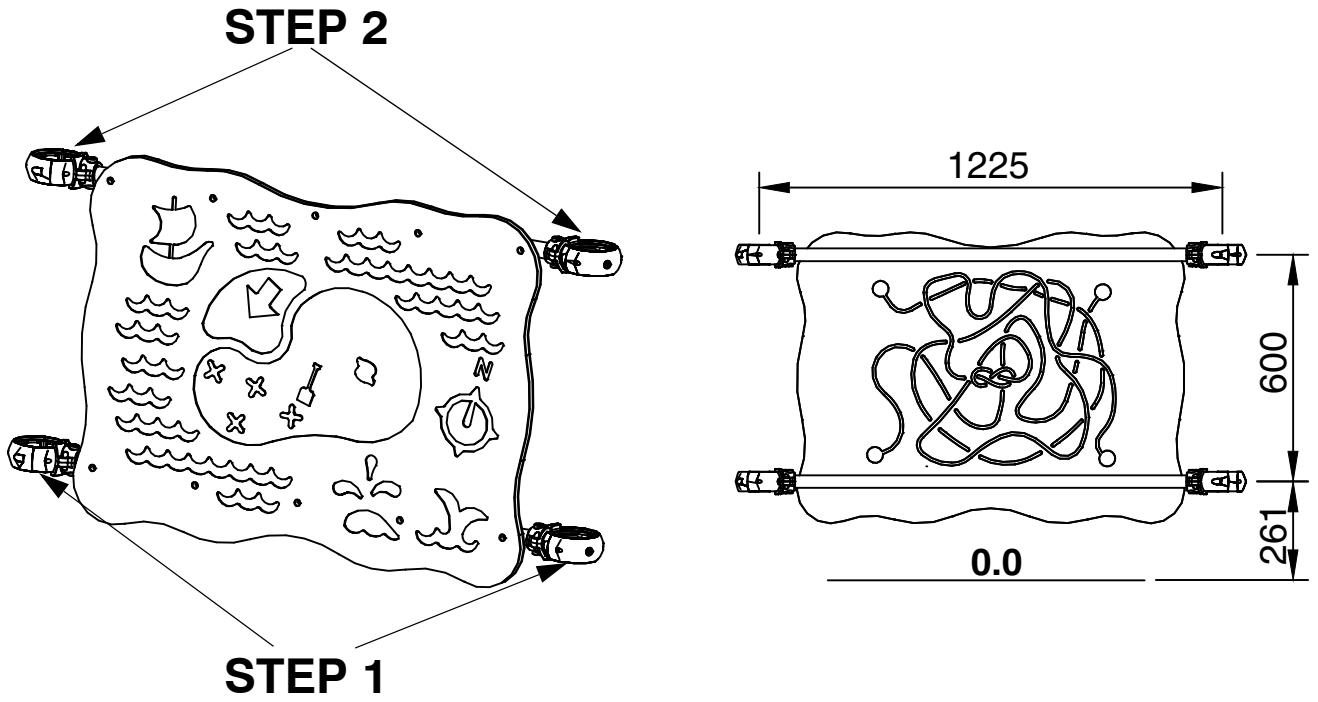
### STEP 3



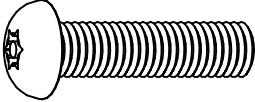
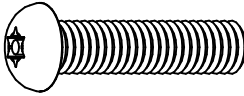
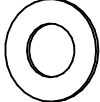
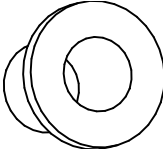
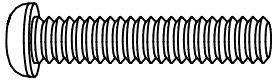
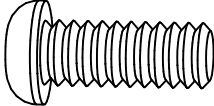
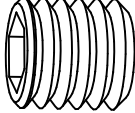
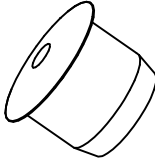
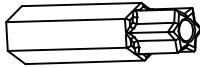
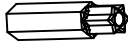
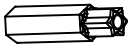
### STEP 4



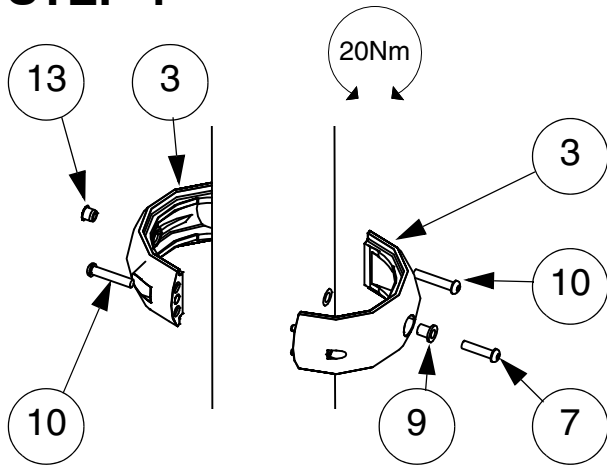
6 X-SSM



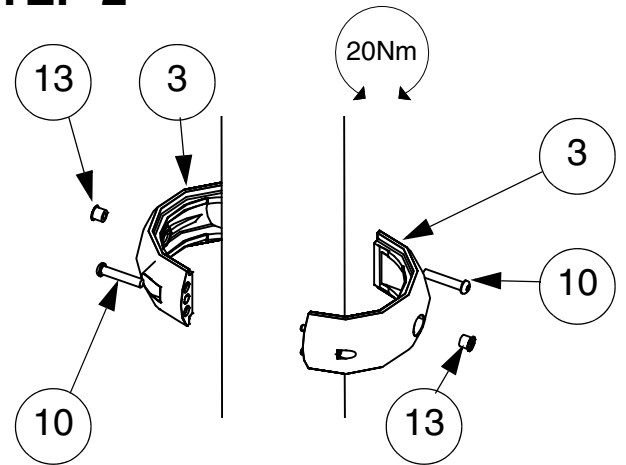
ITEM	REF.		QTY	kg
1	55021082		2	2.50
2	55090901		1	16.00
3	55030799		8	0.20
4	55030499		4	0.10
5	55030399		4	0.10

ITEM	REF.		QTY	kg
6	10121040	 <p>M10 X 40</p>	10	0.037
7	10120625	 <p>M6 X 25</p>	2	0.011
8	10291000	 <p>M10 11X21X1</p>	10	0.002
9	14104942		2	0.001
10	14104749	 <p>1/4"UNC X 1-1/4"</p>	8	0.007
11	14104750	 <p>1/4"UNC X 5/8"</p>	8	0.005
12	14104285	 <p>3/8"UNC X 3/8"</p>	4	0.003
13	19055030		6	0.001
14	10121000	 <p>T45 M10</p>	1	-
15	10120600	 <p>T30 M6</p>	1	-
16	10120500	 <p>T27 1/4"UNC</p>	1	-

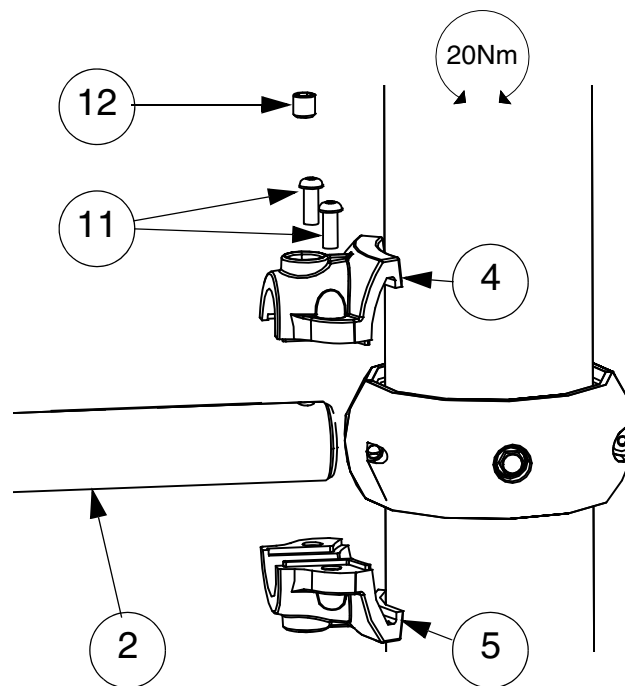
### STEP 1



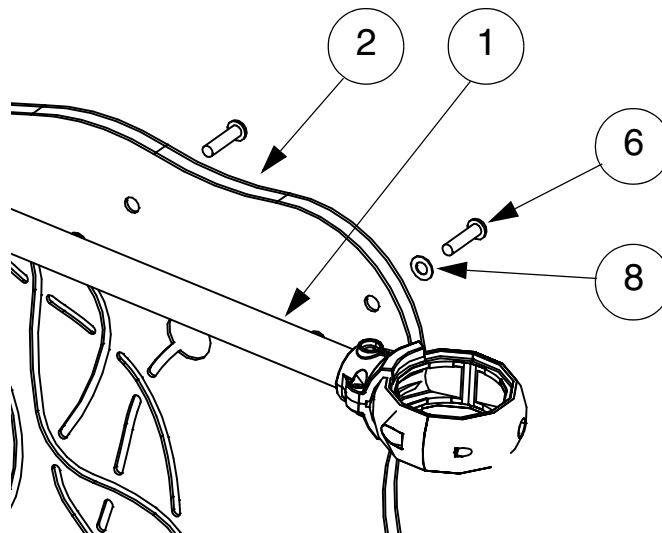
### STEP 2







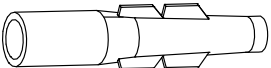

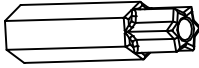
### STEP 3



### STEP 4



## 7 X-SST

ITEM	REF.		QTY	kg
1	55100043		1	1.33
2	55100037		1	0.47
3	55100031		1	1.02
4	55100027		1	0.42
5	10201020		4	0.005
6	10121065	 M10 X 65	4	0.050
7	10121000	 T45 M10	1	-

